

ALPHA WASH 1200



Alpha Wash 1200 is the most powerful washlight in the Alpha family, with all the technological, structural and reliability advantages of this line.

The optical system uses uniform CMY color mixing that, together with a color wheel, with linear CTO and with a CTB filter, allows every chromatic combination to be obtained.

A further chromatic refinement can be obtained by choosing between two lamps on the pricelist, with different colour temperatures.

Its wide linear zoom and the surprising brightness, even at maximum aperture, allows its short, medium and long range use, in professional and architectural lighting.



PROFESSIONAL SHOW LIGHTING

Product features

Lamp

- Metal iodide 1200 W lamp.
- Type: HTI 1200W/ D7/ ... (2 options, see below).
- Cap: Sfc 10 - 4.
- Luminous flux: 110,000 lm.
- Average Life: 750 h.
- Hot Restrike.

L10055 HTI 1200 W/D7/60 (6,000 K) Osram lamp

L10082 HTI 1200 W/D7/75 (7,500 K) Osram lamp

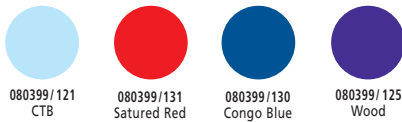
Optics

- Optical unit with optimal luminous efficiency.
- 11° - 55° Electronic Linear Zoom.
- Possibility of obtaining 3 angular apertures (11°; 19°; 25°) without cutting in the Zoom.
- Fresnel Lens: diameter 200 mm, focal length 140 mm.

Colors and Effects

- CMY Color Mixing.
- Color wheel with 4 interchangeable filters (Saturated Red, Congo Blue, CTB at 7500 K, UV filter) plus white.
- Linear CTO.
- 2 frost filters (light and heavy frost).
- Indexable ovalizer with 70° max aperture.
- A state - of - the - art 0 - 100 % dimmer on a dedicated channel.
- Stop/strobe effect.

Standard Color Filters (Ø 57 mm)



The order of the colors depicts the insertion sequence.

Linear CTO



CMY



Electronics and other features

- Long life self - charging buffer battery.
- Pre - set macros.
- "ENERGY SAVING" function: with the stop or total dimmer effect on, or with all the CMY filters full (black), consumption cut by 50 %.
- 115/230V switchable power supply.
- ON/OFF lamp control from the lighting desk.
- Function reset from the lighting desk.
- "HELP" function in the menu.
- "MEMO" function.
- "AUTOTEST" function.
- Possibility to upgrade the software through the DMX 512 input.
- Ethernet connection.
- Electronic check up on each parameter.
- DMX level monitoring on each channel.
- Feedback information for each sensor and encoder.
- Electronic repositioning of the effects.

Technical data

Power supplies

- 200 - 240 V 50/60 Hz • 100 - 120 V 50/60 Hz
- The power supply can be changed over with the built - in selector.

Input power: 1600VA at 230V 50Hz (PFC Electronic Ballast).

Input: DMX 512.

Body

- Aluminium structure with die - cast plastic cover.
- Two side handles for transportation.

Moving body

- Angle: - PAN = 450° - TILT = 252°
- Maximum speeds:
 - PAN = 4.0 sec. (360°) - TILT = 3.2 sec. (252°)
- Resolution:
 - PAN = 1.76° - PAN FINE = 0.007°
 - TILT = 0.98° - TILT FINE = 0.004°
- Automatic repositioning of PAN and TILT after accidental movement not controlled by control unit.
- PAN and TILT lock on 4 and 5 positions respectively.

Cooling

Forced ventilation with axial fans.

Safety devices

- Bipolar circuit breaker with thermal protection.
- Automatic break in power supply in case of overheating.

Recommended working position

Functions in any position.

CE marking

In conformity with the European Union Low Voltage Directive 73/23 and Electromagnetic Compatibility Directive 89/336.

Accessories

Code 183102 / 801

Omega for Clamps fixing supplied (2 pieces)



Code C52175

Clamps (hooks for truss) not included



Code 105041 / 003

Safety cable - not included



CHANNELS

	Standard	16 bit	Extended
Channel 1	Cyan	Cyan	Cyan
Channel 2	Magenta	Magenta	Magenta
Channel 3	Yellow	Yellow	Yellow
Channel 4	C.T.O.	C.T.O.	C.T.O.
Channel 5	Color Wheel	Color Wheel	Color Wheel
Channel 6	Stop/strobe	Stop/strobe	Stop/strobe
Channel 7	Dimmer	Dimmer	Dimmer
Channel 8	Frost	Frost	Frost
Channel 9	Ovalizer	Ovalizer	Ovalizer
Channel 10	Zoom	Zoom	Zoom
Channel 11	Pan	Pan	Pan
Channel 12	Tilt	Tilt	fine Pan
Channel 13	Reset	Reset	Tilt
Channel 14	Lamp on/off	Lamp on/off	fine Tilt
Channel 15		fine Pan	Reset
Channel 16		fine Tilt	Lamp on/off

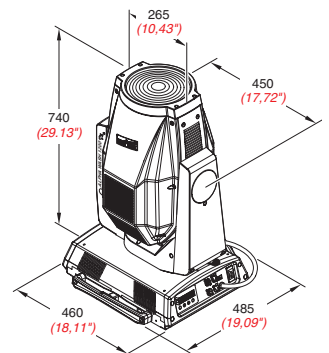
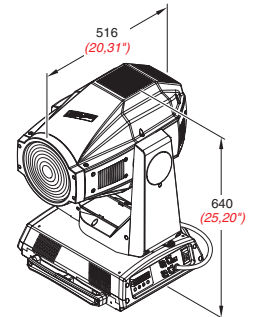
Color filters (Ø 57 mm)

080399/101	Light Blue
080399/102	Yellow
080399/103	Green
080399/104	Violet
080399/105	Red
080399/106	Pink
080399/107	Orange
080399/110	Azure
080399/111	Dark Blue
080399/112	Medium Blue
080399/113	Dark Amber
080399/114	Dark Green
080399/115	Light Green
080399/116	Turquoise
080399/117	Primary Red
080399/119	Light Orange
080399/120	CTO
080399/121	CTB
080399/123	Magenta
080399/124	Deep Red
080399/125	UV light
080399/130	Congo Blue
080399/131	Saturated Red

Sales Codes

C 61072	ALPHA WASH 1200
F21170	Foam Shell
F21162	Flight case for 2 projectors (including 2 foam shells)

Dimensions (mm) and weight



35,8 kg (79 lbs)

