



Heavy duty truss

D76-R truss



RECTANGLE 760 TRUSS

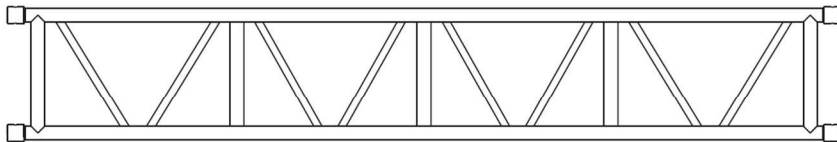


Straight truss

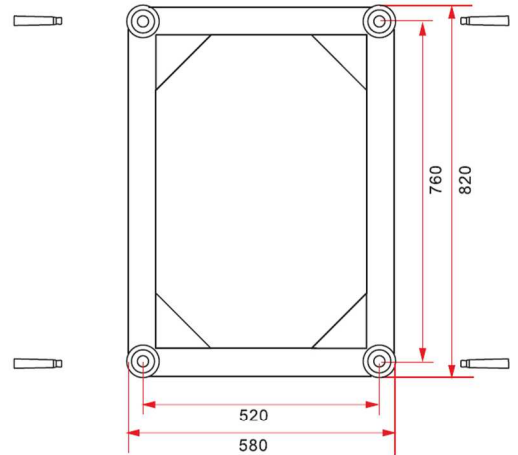
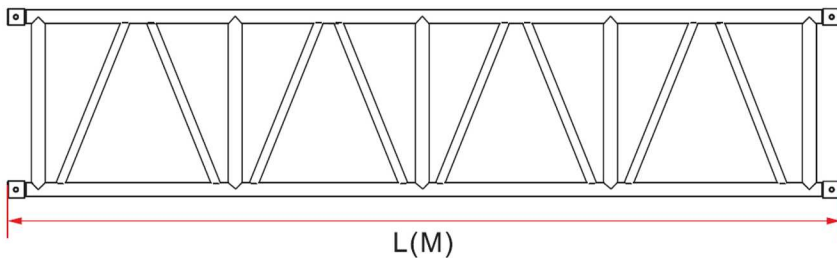
Ordercode	Length
D76-RS10	1.0m
D76-RS20	2.0m
D76-RS30	3.0m

Section Type	Rectangle(R)
Material	6082-T6
Main tubes	Ø50x4mm
Braces	Ø50x 3mm
	Ø30x 3mm

Top view



Side view



D76 RECTANGLE TRUSS ALLOWABLE LOADING

Length	UNIFORMLY DISTRIBUTED LOAD	DEFLECTION	▲▼▲	DEFLECTION	▲▼▼▲	DEFLECTION	▲▼▼▼▲	DEFLECTION	▲▼▼▼▼▲	DEFLECTION
m	Kg/m	Mm	Kg	mm	Kg	mm	Kg	mm	Kg	mm
10	341.0	28	586.9	1	541.5	12	469.0	12	433.3	14
12	258.1	45	558.8	13	510.0	21	434.1	20	397.7	23
14	200.5	67	533.3	20	481.9	31	404.1	29	367.6	33
16	159.4	90	510.0	28	456.8	43	377.9	41	341.7	47
18	126.9	117	488.6	39	434.1	59	354.9	55	319.2	62
20	100.0	133	496.0	54	413.6	78	334.6	71	299.4	80
22	80.0	156	450.9	65	394.9	98	316.5	90	282.0	101
24	64.8	193	434.1	83	377.9	122	300.2	111	266.5	124
26	53.0	228	418.6	103	362.2	149	285.5	135	252.6	150
28	43.6	255	404.0	123	347.9	179	272.2	160	240.0	179
30	36.1	270	398.2	147	334.6	211	260.0	189	228.7	206

▲▼▼▼▼▲ Line Load(UDL) ▲▼▲ Centre Point Load(CPL) ▲▼▼▲ Third points Load ▲▼▼▼▲ Fourth points Load ▲▼▼▼▼▲ Fifth points Load

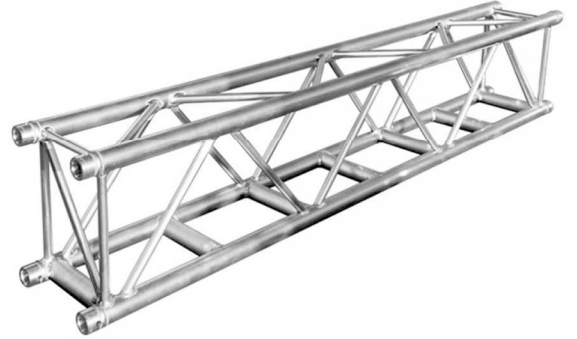


Heavy duty truss

D66-R truss



RECTANGLE 660 TRUSS



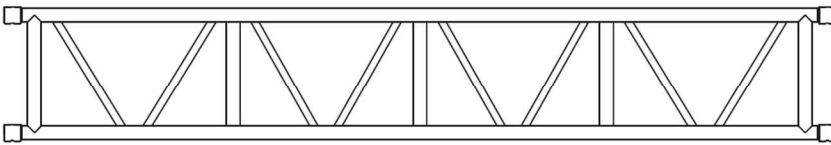
Straight truss

Ordercode Length

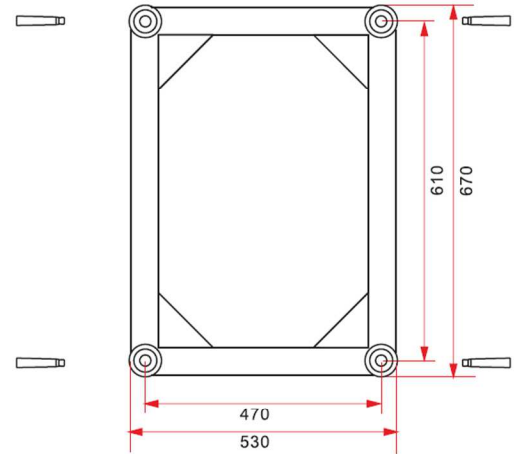
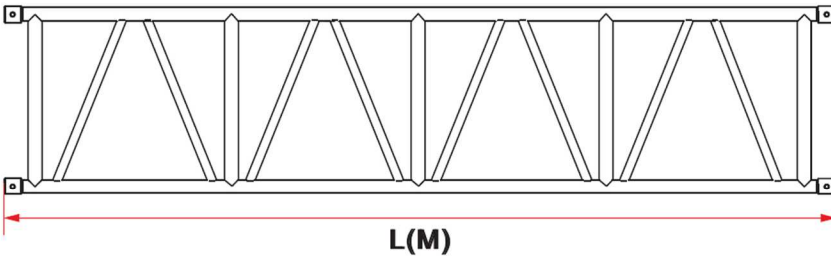
D66-RS10	1.0m
D66-RS20	2.0m
D66-RS30	3.0m

Section Type	Rectangle(R)
Material	6082-T6
Main tubes	Ø50x4mm
Braces	Ø50x3mm Ø30x3mm

Top view



Side view



D66 RECTANGLE TRUSS ALLOWABLE LOADING

Span (m)	3m	4m	5m	6m	7m	8m	9m	10m	11m	12m	13m	14m
Line Load(kg/m)	2064.4	1544.8	1232.4	1024.2	812.0	617.7	484.5	389.2	318.7	265.1	223.4	190.2
Deflection(mm)	4	7	10	15	20	26	33	41	50	59	70	81
Centre point load(kg)	6196.2	5043.6	4019.6	3334.1	2842.0	2470.8	2180.2	1946.0	1752.9	1590.5	1451.8	1331.7
Deflection(mm)	3	5	8	12	16	21	27	33	40	47	56	65
third points load(kg)	3098.1	3089.6	3014.7	2500.6	2131.5	1853.1	1635.2	1459.5	1314.7	1192.9	1088.9	998.8
fourth points load(kg)	2056.9	2048.4	2009.8	1667.0	1421.0	1235.4	1090.1	973.0	876.5	795.3	725.9	665.9
Fifth points load(kg)	1549.1	1544.8	1540.6	1383.6	1179.4	1025.4	904.8	807.6	727.5	660.1	602.5	552.7

Span (m)	15m	16m	17m	18m	19m	20m	21m	22m	23m	24m	25m	26m
Line Load(kg/m)	163.5	141.7	123.6	108.4	95.5	84.6	75.1	66.9	59.8	53.5	---	---
Deflection(mm)	93	105	119	134	149	165	182	199	218	237	---	---
Centre point load(kg)	1226.5	1133.4	1050.2	975.4	907.5	845.5	788.7	736.2	687.6	642.3	---	---
Deflection(mm)	74	84	95	107	119	132	145	160	174	190	---	---
third points load(kg)	919.9	580.1	787.7	731.5	680.6	634.1	591.5	552.2	515.7	481.7	---	---
fourth points load(kg)	613.3	566.7	525.1	487.7	453.7	422.8	394.3	368.1	343.8	321.1	---	---
Fifth points load(kg)	509.0	470.4	435.8	404.8	376.6	350.9	327.3	305.5	285.3	266.5	---	---

Line Load(UDL)
 Centre Point Load(CPL)
 Third points Load
 Fourth points Load
 Fifth points Load

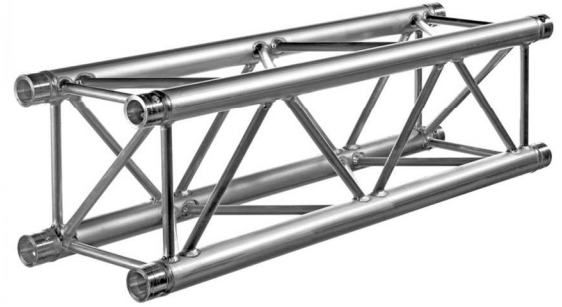


Multipurpose truss

GC40-Q truss



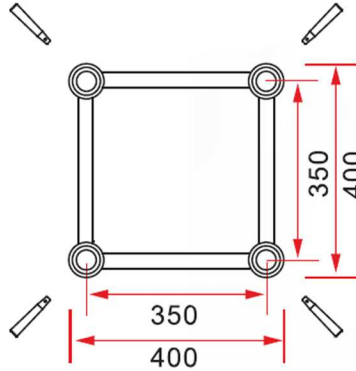
SQUARE 400 TRUSS



Straight truss

codeorder length

GC40-QS05	0.5m
GC40-QS10	1.0m
GC40-QS15	1.5m
GC40-QS20	2.0m
GC40-QS30	3.0m



Section Type	Square(Q)
Material	6082-T6
Main tubes	Ø50x3mm
Braces	Ø25X2mm

Length m	UNIFORMLY DISTRIBUTED LOAD Kg/m	DEFLECTION mm	▲▼▲		▲▼▼▲		▲▼▼▼▲		▲▼▼▼▼▲	
			DEFLECTION mm	Kg	DEFLECTION mm	Kg	DEFLECTION mm	Kg	DEFLECTION mm	Kg
3	937.7	5.0	719.4	3.0	680.7	7.0	614.5	5.0	580.0	5.0
4	731.0	7.0	680.7	5.0	635.2	9.0	560.3	6.0	522.4	6.0
5	465.0	10.0	645.9	6.0	595.4	12.0	514.7	8.0	475.2	9.0
6	320.0	15.0	614.6	8.0	560.3	16.0	476.0	11.0	399.0	11.0
7	133.3	20.0	586.2	11.0	529.1	20.0	408.3	15.0	338.9	16.0
8	176.8	25.0	560.3	16.0	501.1	24.0	353.5	20.0	293.4	20.0
9	138.0	30.0	536.5	21.0	465.7	35.0	310.4	24.0	257.7	25.0
10	110.2	37.0	514.7	28.0	413.4	39.0	275.6	29.0	228.7	31.0
11	89.7	45.0	493.5	36.0	370.1	46.0	246.7	36.0	204.8	36.0
12	74.1	56.0	444.7	42.0	333.5	54.0	222.3	41.0	184.5	43.0
13	62.0	68.0	402.7	49.0	302.8	63.0	201.4	48.0	167.1	50.0
14	52.3	79.0	366.3	55.0	274.7	71.0	183.1	54.0	152.0	57.0
15	44.6	86.0	334.1	62.0	250.6	81.0	167.1	60.0	138.7	64.0
16	38.2	90.0	305.5	69.0	229.1	104.0	152.8	68.0	126.8	71.0
17	32.9	100.0	279.8	76.0	209.8	115.0	139.9	74.0	116.1	77.0
18	28.5	107.0	256.4	84.0	192.3	126.0	128.2	82.0	106.4	85.0

▲▼▼▼▼▲ Line Load(UDL) ▲▼▲ Centre Point Load(CPL) ▲▼▼▲ Third points Load ▲▼▼▼▲ Fourth points Load ▲▼▼▼▼▲ Fifth points Load



Heavy duty truss

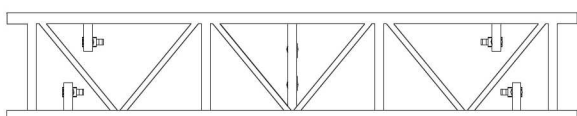
F100-R truss



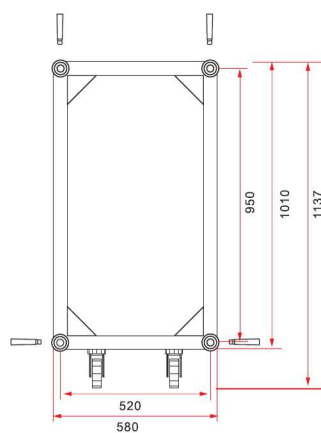
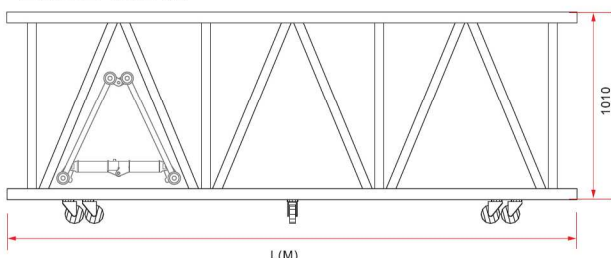
RECTANGLE 1010 TRUSS



Top view



Side view



Section Type	Rectangle(R)
Material	6082-T6
Main tubes	Ø60x6mm
Braces	Ø50x3mm Ø30x3mm

F100 RECTANGLE TRUSS ALLOWABLE LOADING

SPAN	UNIFORMLY DISTRIBUTED LOAD	DEFLECTION	▲▼▲		▲▼▼▲		▲▼▼▼▲		weight
			kg	mm	kg	kg	kg		
m	kg/m	mm	kg	mm	kg	kg	kg		
21	200,3	102	2102,7	82	1577,0	1051,3	872,6	462,0	
22	180,7	112	1987,5	89	1490,7	993,8	824,8	484,0	
23	163,6	122	1881,6	98	1411,2	940,8	780,8	506,0	
24	148,6	133	1783,6	106	1337,7	891,8	740,2	528,0	
25	135,4	144	1692,6	116	1269,5	846,3	702,4	550,0	
26	123,7	156	1607,9	125	1205,9	804,0	667,3	572,0	
27	113,2	168	1528,7	135	1146,5	764,4	634,4	594,0	
28	103,9	181	1454,5	145	1090,9	727,2	603,6	616,0	
29	95,5	194	1384,7	155	1038,5	692,3	574,6	638,0	
30	87,9	208	1318,9	166	989,1	659,4	547,3	660,0	
31	81,1	222	1256,6	178	942,5	628,3	521,5	682,0	
32	74,9	237	1197,7	189	898,3	598,8	497,0	704,0	
33	69,2	252	1141,7	201	856,3	570,8	473,8	726,0	
34	64,0	267	1088,4	214	816,3	544,2	451,7	748,0	
35	59,3	283	1037,6	226	778,2	518,8	430,6	770,0	
36	54,9	299	989,0	240	741,8	494,5	410,5	792,0	
37	51,0	316	942,6	253	706,9	471,3	391,2	814,0	
38	47,3	334	898,0	267	673,5	449,0	372,7	836,0	
39	43,9	351	855,3	281	641,5	427,6	354,9	858,0	
40	40,7	370	814,1	296	610,6	407,1	337,9	880,0	

▲▼▼▼▲ Line Load(UDL) ▲▼▲ Centre Point Load(CPL) ▲▼▼▲ Third points Load ▲▼▼▲ Fourth points Load ▲▼▼▼▲ Fifth points Load
MAXIMUM ALLOWABLE POINT LOADS